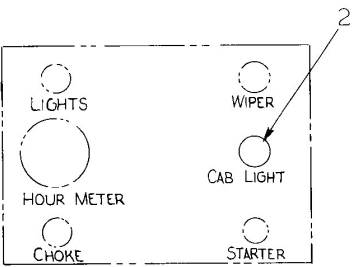
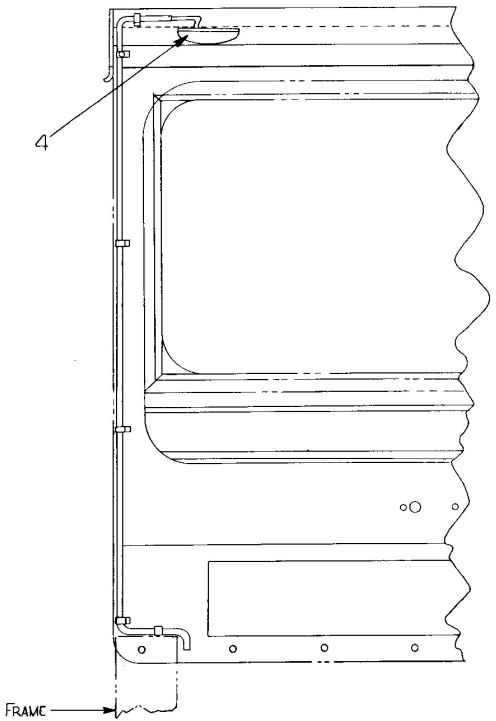
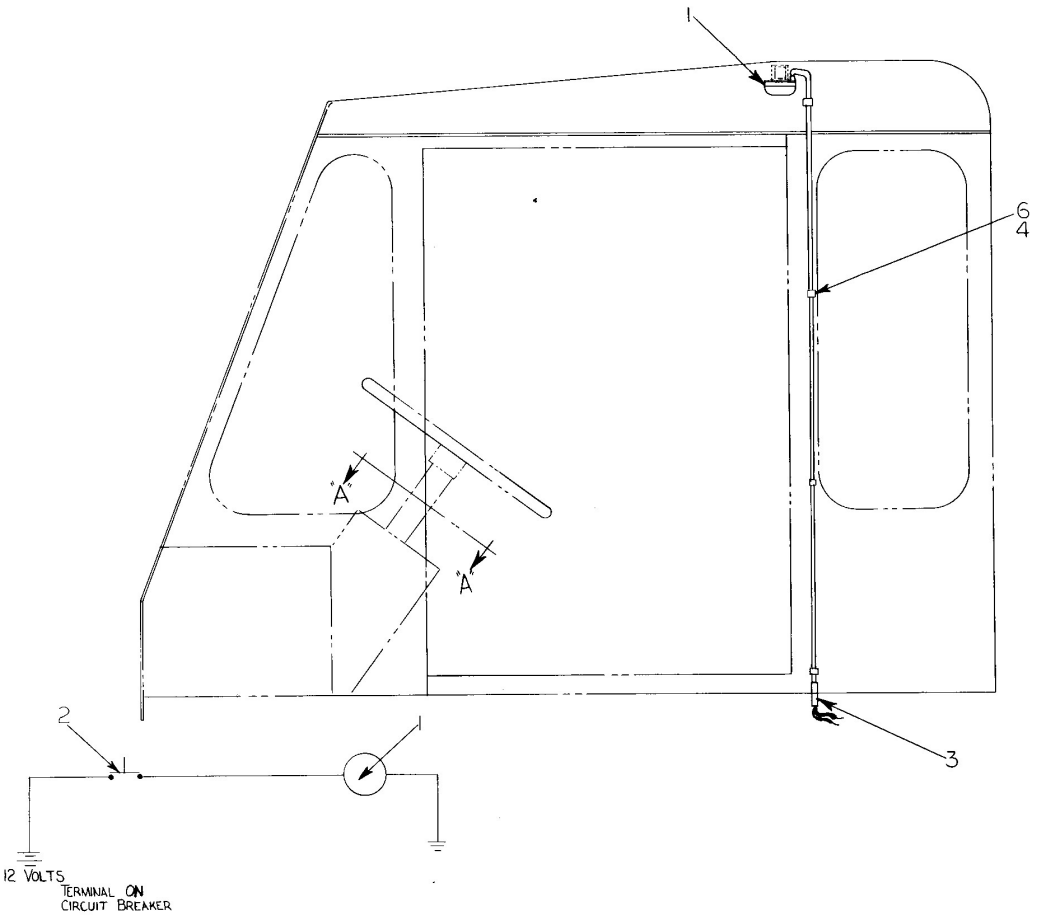


Manitowoc Crane Group



VIEW "A-A"

2160400009

(SHEET 1 OF 1)

36XXe 38